

Sophia Series® | Replacement Windows



For almost 50 years, Feldco has been helping homeowners improve the value of their homes while improving the quality of their lifestyles.

It is our mission to offer superior replacement windows at an exceptional **value**. Our windows are designed specifically for the unique weather of the Midwest, to ultimately keep you cooler in the summer and warmer in the winter.

By staying ahead of the trends with energy efficient products and embracing the **innovation** offered with the latest in replacement window technology, we will save you money on your energy bills.

We know every home and every customer is different, so we have a wide variety of styles and options available to help you transform your home. Every replacement window is custom built just for you, and you can enjoy the **beauty** a Feldco window provides for years to come.

You've heard us say, with Feldco, "One Call Takes Care of it All." Whether you visit us online at 4feldco.com, stop by one of our showrooms or call us at 866-4FELDSCO®, we make it easy to schedule your free in-home estimate. Followed up with our professional service and installation, Feldco truly takes the hassle out of your home renewal project. Quite simply, Feldco remains a company you can **trust**.

We look forward to earning your business, transforming your home and delighting you with your Feldco experience.

- Your Feldco Team



WHY FELDCO?

Customer Delight

We pride ourselves on setting the bar in customer service by making "Customer Delight" our focus day in and day out. Whether it's during an in-home demonstration, the installation, or a call to 866-4FELDSCO®, we don't want to just satisfy our customers, but delight them.

Lifetime Warranty

Feldco's Top to Bottom Inside Out Warranty gives you the added peace of mind about your investment. Trust that our windows will be free of defects and installed properly. The warranty is even transferable should you ever sell your home.

Professional Installation

Your Installation Team is among the best in the industry, dedicated to making sure your new windows are properly installed. Our professional installation maximizes the efficiency and functionality of your new windows. All installers are EPA trained and certified renovators that strictly adhere to the latest requirements for Lead Safe Renovating. This ensures that your installation will be cleaner and safer, protecting you and your family.



HIGH PERFORMANCE GLASS



Sophia Series®

The Sophia Series® is Feldco's premium line of replacement windows. These windows are designed to provide you with added safety, security, comfort and affordability.



SAVING YOU MONEY

LowE Glass

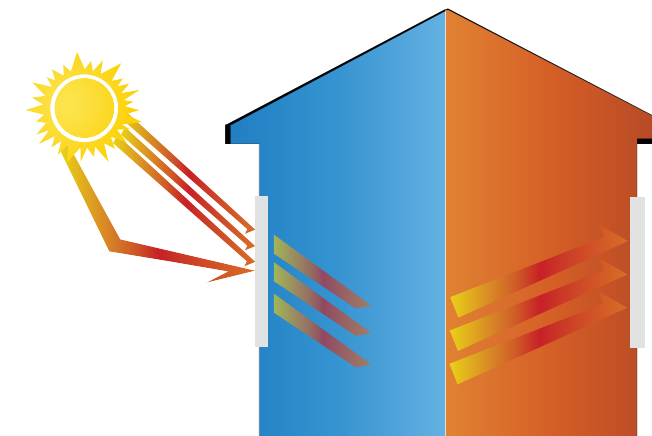
Windows with LowE are treated with an invisible metallic oxide coating. The surface reflects heat and filters long-wave radiation from the sun, but allows light to pass through. This reduces solar heat gain from the summer sun - keeping you cooler. In the winter, the LowE Glass allows solar rays into your home, while blocking the heat inside of your home from getting out - keeping you warmer.


Argon Gas

Argon is a clear, odorless, slow-moving gas. When pumped inside the glass unit, it greatly improves thermal efficiency. The argon minimizes the convection currents within the space, and the overall transfer of heat between the inside and outside is greatly reduced.

The Ultimate in Performance

Feldco's high performance glass package improves the overall energy efficiency of your home, lessens fading of your upholstery, window treatments and flooring, and makes your home more comfortable year round. Trust you are making a sound window investment with one of the best National Fenestration Rating Council (NFRC) ratings available.



FELDCO VINYL FRAME		 DH1655	
U-FACTOR	SOLAR HEAT GAIN COEFFICIENT		
0.26	0.27		
VISIBLE TRANSMITTANCE	CONDENSATION RESISTANCE		
0.51	61		

EXCLUSIVE WINDOW FEATURES

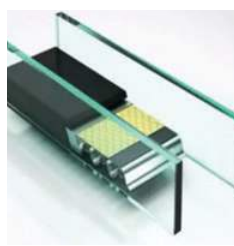
ONE OF A KIND



Multi-Chambered Construction
Improves structural strength, reduces noise and increases insulation and energy efficiency.



High Density Composite I-Beam
Creates superior window frame strength and durability, prevents jams and warping.



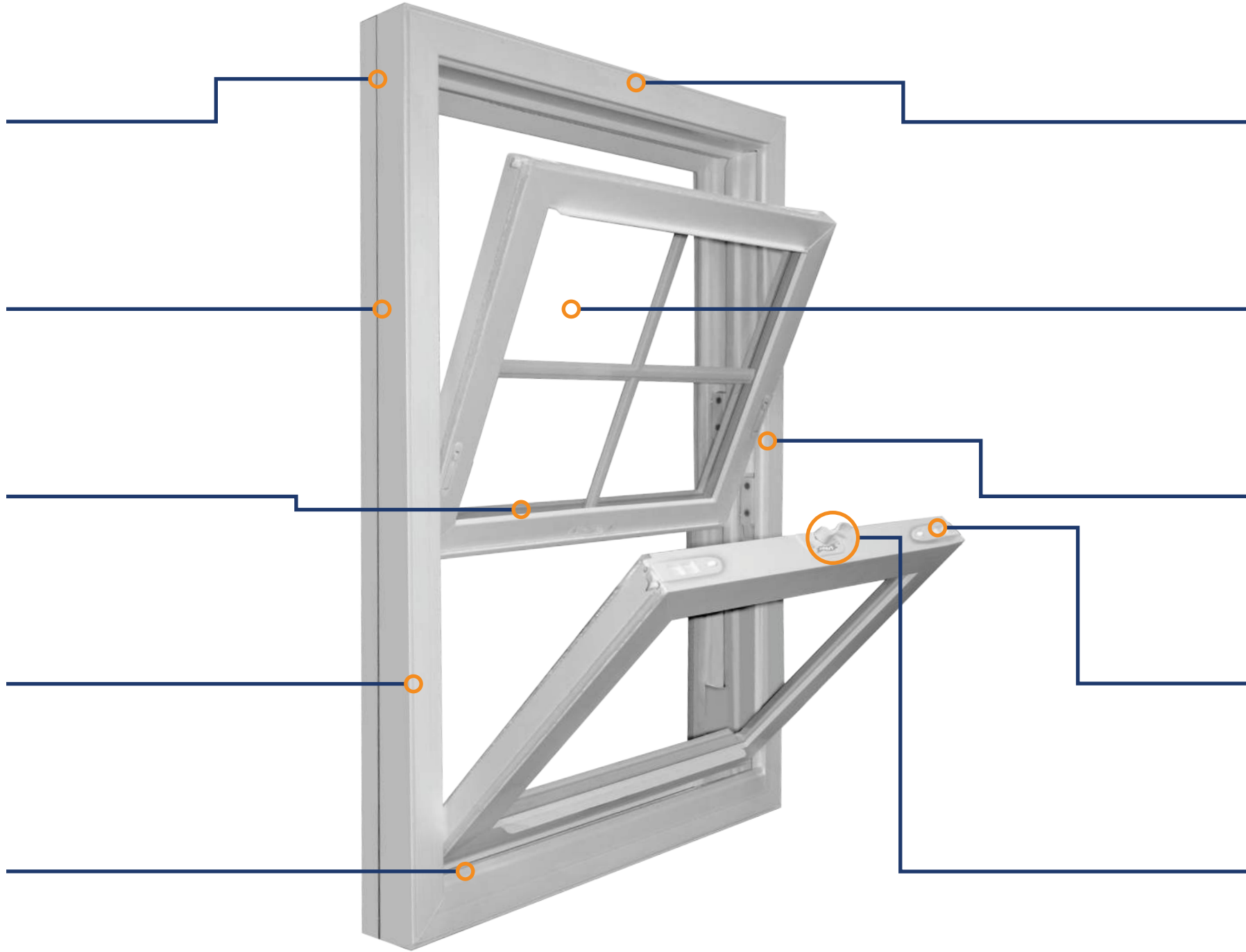
DuraLite® Spacer System
Long lasting energy performance and window protection from internal condensation.



Polyurethane Foam Enhanced Frame & Sashes
For high R-Values and insulating properties.



Magnetic Bottom Sash Seal
Window sash seals magnetically like a refrigerator door, saving you energy.



Insulating Foam Compression Wrap
Adds more manufactured insulation than consumer-stock windows provide.



Locking Screens
Increased security from intruders; stops children from easily opening screens inside.



Staggered Ventilation Latches
Prevents children or intruders from raising window, even when your windows are open.



Childproof Tilt Safety Locks
Prevents window from being inadvertently tilted in, reducing the risk of injury.



Fiberglass Reinforced Frame, Sashes & Locking System
Gives entire window structural integrity and enhances strength of lock. No steel in window increases energy efficiency.

Other Window Features Include:

- **Double Strength 3/4" Insulated Glass** - Gives strength to glass and increases insulation.
- **Deep-Seated Interlock** - For increased security and unsurpassed weather tightness.
- **BetterVue® Clarity Screen** - BetterVue® is an improved visibility insect screen for Feldco windows. This high-definition technology maximizes the view by making it sharper and more brilliant.
- **True Sloping Sill** - This design allows water run-off to the outside of your home; prevents air and water infiltration.
- **Mortised Lock Keep** - Decorative mortised recessed locks close in opposite directions to create tighter seal.



Features and benefits listed above apply to the Sophia Series® Double Hung window. Features and benefits may vary based on window type and color.

WINDOW STYLES



Architectural:

Whether you are looking to add a dash of light or enhance other window styles, architectural windows add beauty and design depth. Accent any room with a variety of available shapes and sizes.



Awning:

Add ventilation to your home no matter the weather. Opening outward from the bottom, you create an awning effect keeping the elements outside.



Bays & Bows:

Configurations can use picture, casement, or double-hung window styles in order to fit any design needs. Bays and bows add beauty and dimension to your home.



Casement:

Hinge style window that opens like a door maximizing visibility and ventilation with modern design flexibility.



Double Hung:

The standard "up-down" window is both beautiful and versatile. With two moving sashes, open the window from the top or bottom for desired ventilation.



Garden:

Bring the outdoors into your home with this attractive option. Add light and space to any room and enjoy ventilation as desired.



Patio Door:

Often the largest window in your home, you can maximize light and ventilation with an easy to use, secure and energy efficient option for entry into your home.



Slider:

Opening horizontally, they are great for their ease of use and contemporary styling. A state-of-the-art sliding system prevents sticking and racking.

CUSTOMIZE YOUR HOME



CUSTOM OPTIONS - JUST FOR YOU

Color Selections

Create a custom look for your home. Choose an exterior color to match the outside of your home while choosing the same or a different color for the window's interior.

Exterior Options

WHITE
ALMOND
BLACK
BRONZE
CLAY
COCOA
CREAM
FOREST GREEN

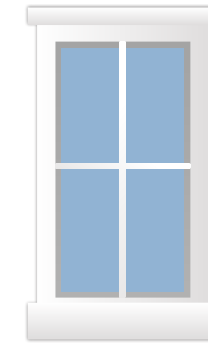
Interior Options

WHITE
ALMOND
COLONIAL CHERRY
NATURAL OAK
HILLSIDE OAK

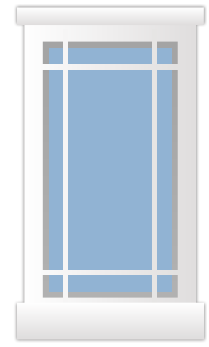
NOTE: Printed colors are only an approximation. See actual samples for exact match. Color availability varies by style. Ask your product specialist for additional details.

Grid Styles

Consider enhancing the look of your windows with grids. Grids are color-coordinated to your window, can be flat or sculptured and are placed between the panes of glass for easy cleaning of the window.



Colonial



Perimeter





866-4FELDCO® 4FELDCO.COM

Chicago North - 1656 Winthrop Drive, Des Plaines, IL

Peoria - 1011 W. Detweiller Drive, Peoria, IL

Rockford - 4322 Maray Drive, Rockford, IL

Milwaukee - 401 W. Boden Street, Milwaukee, WI

Wausau - 7315 Zinser Street #3, Weston, WI

Davenport - 355 W. 76th Street, Davenport, IA

Chicago South - 17730 Hoffman Way, Homewood, IL

Springfield - 719 Estill Drive, Springfield, IL

Madison - 3037 S. Stoughton Road, Madison, WI

Green Bay - 1125c Tuckaway Lane, Menasha, WI

Cedar Rapids - 4920 Blairs Forest Court NE, Cedar Rapids, IA



America's #1
Window and
Door Company

01/2023