

Storm Doors



For almost 50 years, Feldco has been helping homeowners improve the value of their homes while improving the quality of their lifestyles.

It is our mission to offer superior storm doors at an exceptional **value**. Our doors are designed specifically for the unique weather of the Midwest, to ultimately keep you cooler in the summer and warmer in the winter.

By staying ahead of the trends with energy efficient products and embracing the **innovation** offered with the latest in storm door technology, we will help save you money on your energy bills.

We know every home and every customer is different, so we have a wide variety of styles and options available to help you transform your home. Every storm door is custom built just for you, and you can enjoy the **beauty** a Feldco storm door provides for years to come.

You've heard us say, with Feldco, "One Call Takes Care of it All." Whether you visit us online at 4feldco.com, stop by one of our showrooms or call us at 866-4FELDSCO®, we make it easy to schedule your free in-home estimate. Followed up with our professional service and installation, Feldco truly takes the hassle out of your home renewal project. Quite simply, Feldco remains a company you can **trust**.

We look forward to earning your business, transforming your home and delighting you with your Feldco experience.

- Your Feldco Team



WHY FELDCO?

Customer Delight

We pride ourselves on setting the bar in customer service by making "Customer Delight" our focus day in and day out. Whether it's during an in-home demonstration, the installation, or a call to 866-4FELDSCO®, we don't want to just satisfy our customers, but delight them.



Lifetime Warranty

Feldco's Top to Bottom Inside Out Warranty gives you the added peace of mind about your investment. Trust that our storm doors will be free of defects and installed properly. The warranty is even transferable should you ever sell your home.



Professional Installation

Your Installation Team is among the best in the industry, dedicated to making sure your new storm door is properly installed. Our professional installation maximizes the efficiency and functionality of your new storm door. All installers are EPA trained and certified renovators that strictly adhere to the latest requirements for Lead Safe Renovating. This ensures that your installation will be cleaner and safer, protecting you and your family.



CUSTOMIZED TO FIT YOUR NEEDS



Extruded aluminum frame adds beauty to your door by virtue of the rounded **cove molding along the glass edge** of the extrusion.

All of our storm doors are constructed with **tempered safety glass**.



You'll appreciate the finished look of our **color-matched aluminum installation screw covers**.

Each door features **quality hardware** that adds beauty and functionality to your new storm door.*



Durable, oven-baked polyester finishes are backed by a Lifetime Warranty for lasting beauty and low maintenance.



Corrosion proof corner gussets enhance the structural integrity of the door.

Color-matched bottom expanders allow for a beautiful custom fit to any entry.



Our bottom expander with sweep allows for adjustment to ensure a snug fit.*



Sashes are secured by our **color-matched polycarbonate clips or an internal sash lock system**.*



Smooth function is essential. That's why we include a **quality door closer** in every storm door package.*

**Varies by model.*



Standard Paint Colors

- SANDSTONE
- FOREST GREEN
- GENEVA BLUE
- MOUNTAIN BERRY
- CAFE CREAM
- CHATEAU
- CLAY
- TUDOR BROWN
- SANDPIPER BEIGE
- RUSTIC BRONZE
- COAL BLACK
- STERLING GRAY
- SNOW MIST
- NIGHTFALL
- ENZIAN BLUE
- VALLIS RED

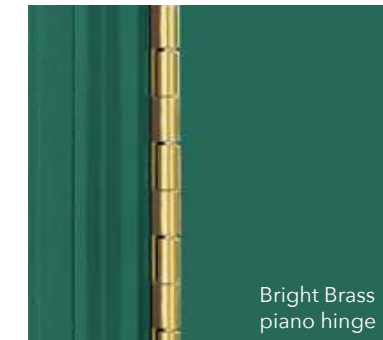
Trending Paint Colors

- BLUEBERRY
- MOSS
- HIBISCUS
- DEEP BLUE
- ROBIN EGG
- CABERNET
- PLUM
- GOLDENROD
- AVOCADO
- BURNT ORANGE
- CLOVER

For all paint colors please refer to our color selector for accurate color representation.

SPECTRUM ADVANTAGES

Standard Hardware & Accessories



Bright Brass piano hinge



Color-matched dual closers



Bright Brass Sierra solid brass mortise hardware



1 1/2" brass-look bottom expander

Also available in Satin Nickel and Aged Bronze



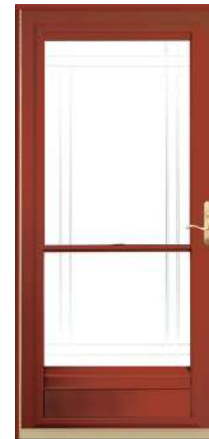
296-B Full View Double Prairie with Beveled Glass & Brass Inlay (Also available with Zinc Inlay)



295 Full View Double Prairie With Beveled Glass



298-B Three-Quarter View With Beveled Glass & Brass Inlay



298-Z Three-Quarter View With Beveled Glass & Zinc Inlay



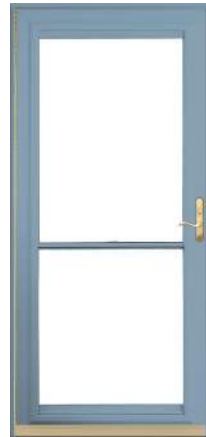
298SH Three-Quarter View



298 Three-Quarter View



291 Full View
*Inspirations Glass Available In #291 Full View



291SH Full View



292 Provincial Half-Lite



293 Crossback Half-Lite



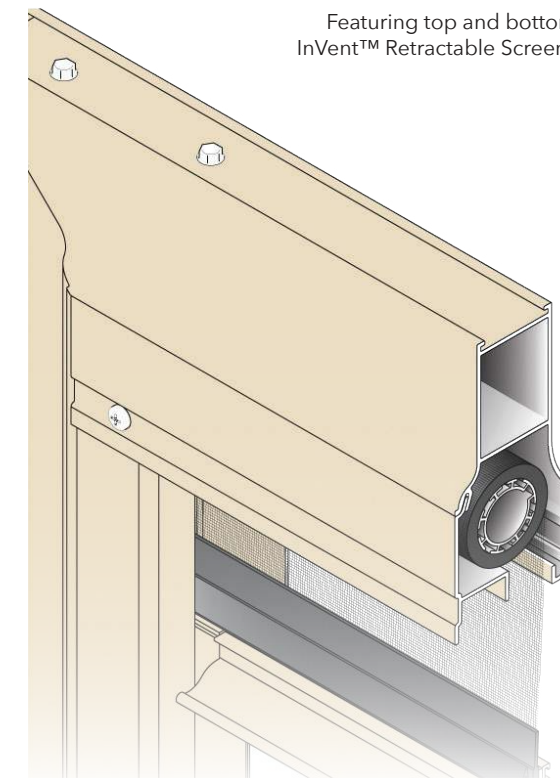
274 CSH Colonial Half-Lite (Only one InVent top screen with fixed bottom sash)



279 Flush Half-Lite

The Spectrum Series brings you smooth functionality, beauty and durability. Our exclusive top & bottom InVent™ retractable screen system allows you more venting options than ever.

Lifetime Limited Transferable Warranty on all of our storm doors.



Featuring top and bottom InVent™ Retractable Screens

Color-matched aluminum screw covers enhance the appearance of your door.

The sculptured frame adds durability.

Corner keys provide added support to the inside of the door frame.

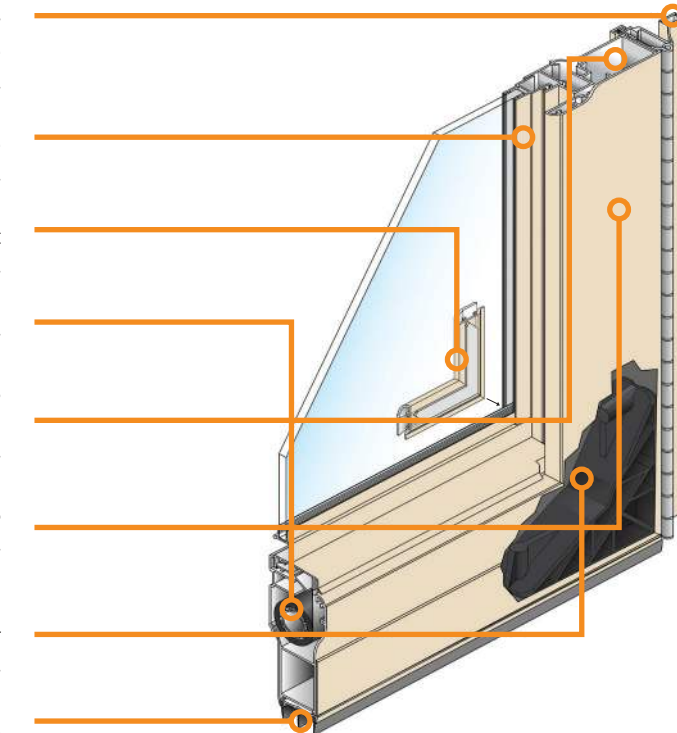
InVent™ retractable screen system.

Multi-hollow construction provides greater strength than standard storm doors.

Aluminum wall thickness up to 20% thicker than industry standard.

Outside corners are secured to corrosion proof gussets, for structural integrity.

Bottom sweep eliminates drafts.



*Ask to see our Inspirations Art Glass brochure for our complete selection of designs, color palettes, and style availability.

DECORATOR ADVANTAGES

The Decorator Series provides a stylish, fresh look to accent your entry door. Select one of the distinct styles from our Decorator Series of storm doors.

Lifetime Limited Transferable Warranty on all of our storm doors.



591 Full View Archway With Beveled Glass

593-B Full View Archway With Beveled Glass & Brass Inlay

593-Z Full View Archway With Beveled Glass & Brass Inlay

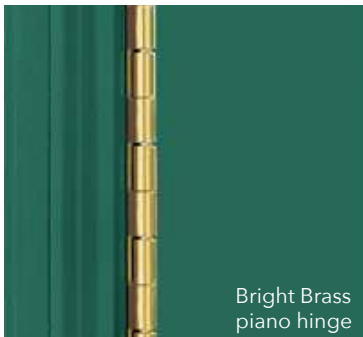
595 Full View Double Prairie With Beveled Glass

596-B Full View Double Prairie With Beveled Glass & Brass Inlay

596-Z Full View Double Prairie With Beveled Glass & Zinc Inlay

590 Full View

Standard Hardware & Accessories



Bright Brass piano hinge



Color-matched dual closers



Bright Brass Windsor hardware



Color-matched bottom expander

Ask to see our Inspirations Art Glass brochure for our complete selection of designs, color palettes, and style availability.



Multi-hollow construction provides greater strength than standard storm doors.

Sash/screen secured by internal lock system or color-matched polycarbonate clips.

Corner keys provide added support to the inside of the door frame.

Standard insulated frame core offers increased energy efficiency.

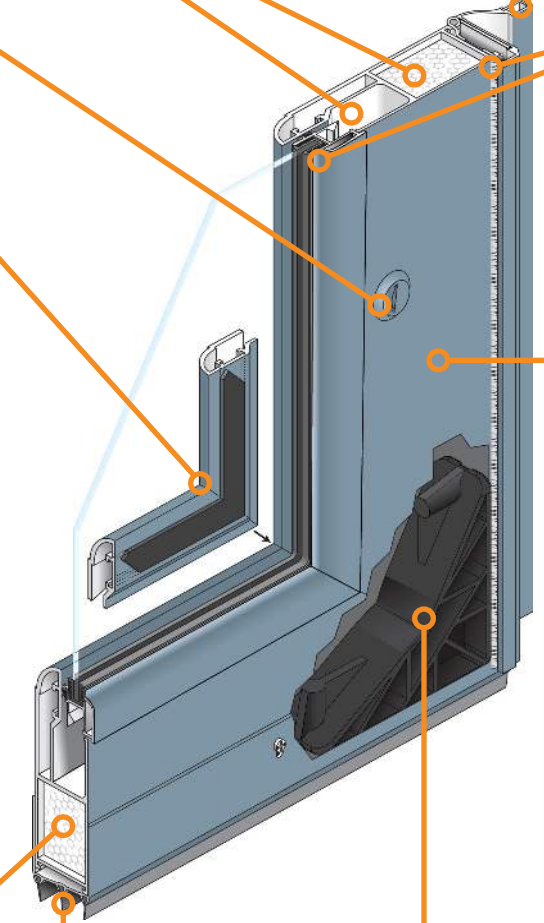
Bottom sweep eliminates drafts.

Color-matched aluminum screw covers enhance the appearance of your door.

The sculptured frame adds durability.

Aluminum wall thickness up to 20% thicker than industry standard.

Outside corners are secured to corrosion proof gussets, for structural integrity.



The Deluxe Series is the answer whether you're looking for additional light, ventilation or protection from the elements. You'll find the exact style you're looking for in our Deluxe Series of storm doors.

Lifetime Limited Transferable Warranty on all of our storm doors.

DELUXE ADVANTAGES



385 Full View Double Prairie With Beveled Glass (Includes Full Screen)
 382 Full View With Beveled Glass (Includes Full Screen)
 397 Full View (Includes Full Screen)
 391 Full View Divided Lite (Includes Top Screen)
 396 One-Lite (Includes Screen)
 396-V One-Lite With Fixed .023 Gauge Stainless Steel Screen Ventilated Bottom & Removable Sash (Includes Top Screen)
 389 Self-Storing (Includes Full Screen)
 399 Self-Storing (Includes Full Screen)



398 Hi-Lite (Includes Top Screen)
 399-M Self-Storing (Includes Full Screen)
 392 Provincial Self-Storing (Includes Full Screen)
 394 Provincial (Includes Screen)
 393 Crossback Self-Storing (Includes Full Screen)
 395 Crossback (Includes Screen)
 379 Self-Storing (Includes Full Screen)
 374 Flush Half-Lite (Includes Screen)

Standard Hardware & Accessories



Black contemporary curve lever with deadbolt



Color-matched bottom expander



Heavy-duty color-matched closers



4 color-matched leaf hinges with brass bushings

Color-matched aluminum screw covers enhance the appearance of your door.

Multi-hollow construction provides greater strength than standard storm doors.

The sculptured frame adds durability.

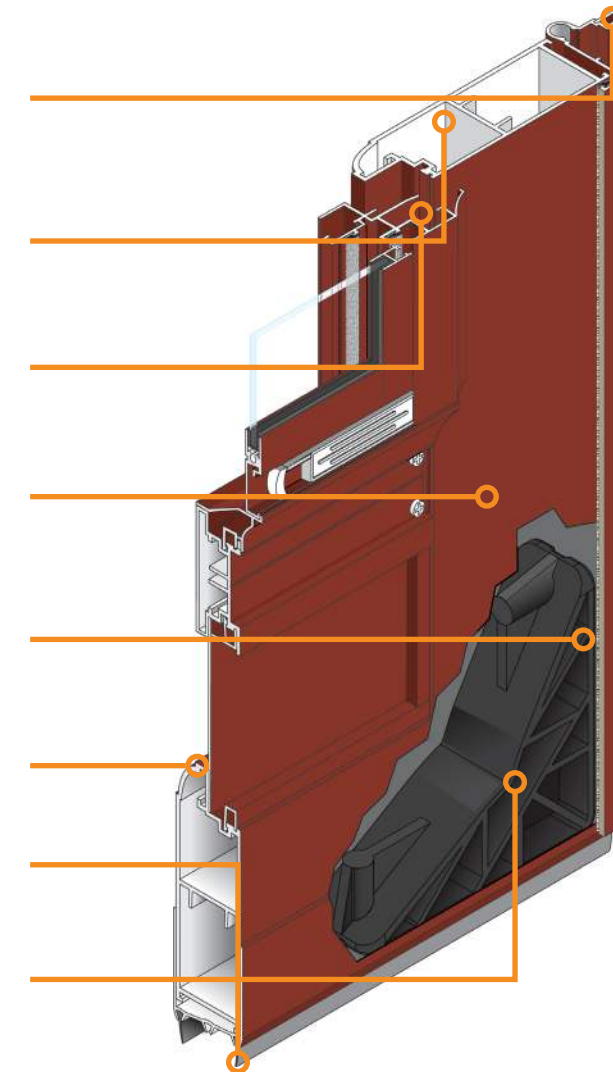
Aluminum wall thickness up to 20% thicker than industry standard.

Outside corners are secured to corrosion proof gussets, for structural integrity.

Aluminum kick panel resists rust and adds strength.

Bottom sweep eliminates drafts.

Corner keys provide added support to the inside of the door frame.



Ask to see our Inspirations Art Glass brochure for our complete selection of designs, color palettes, and style availability.

DuraGuard is exactly what you need if you're concerned about keeping your small children and pets safely inside. Select one of our doors with heavy-duty, non-removable stainless steel screening.

Lifetime Limited Transferable Warranty on all of our storm doors.



097 Screen Door 097-G With Glass Insert
 096 Screen Door 096-G With Glass Insert
 096-Gv With Ventilated Bottom & Removable Top & Bottom Sashes
 074 Flush Half Lite (Removable Sash)
 079 Self-Storing Includes Full Screen
 092 Provincial Self-Storing Includes Full Screen



095 Crossback Half Lite (Removable Sash)
 089 Self-Storing Sash & Screen
 099 Self-Storing Sash & Screen
 099-M Self-Storing Sash & Screen
 093 Crossback Self-Storing Includes Full Screen
 094 Provincial Half Lite (Removable Sash)



Standard Hardware & Accessories



Black contemporary curve lever with deadbolt



Color-matched bottom expander



Heavy-duty color-matched closers



4 color-matched leaf hinges with brass bushings

DURAGUARD ADVANTAGES

Color-matched aluminum screw covers enhance the appearance of your door.

Multi-hollow construction provides greater strength than standard storm doors.

The sculptured frame adds durability.

Aluminum wall thickness up to 20% thicker than industry standard.

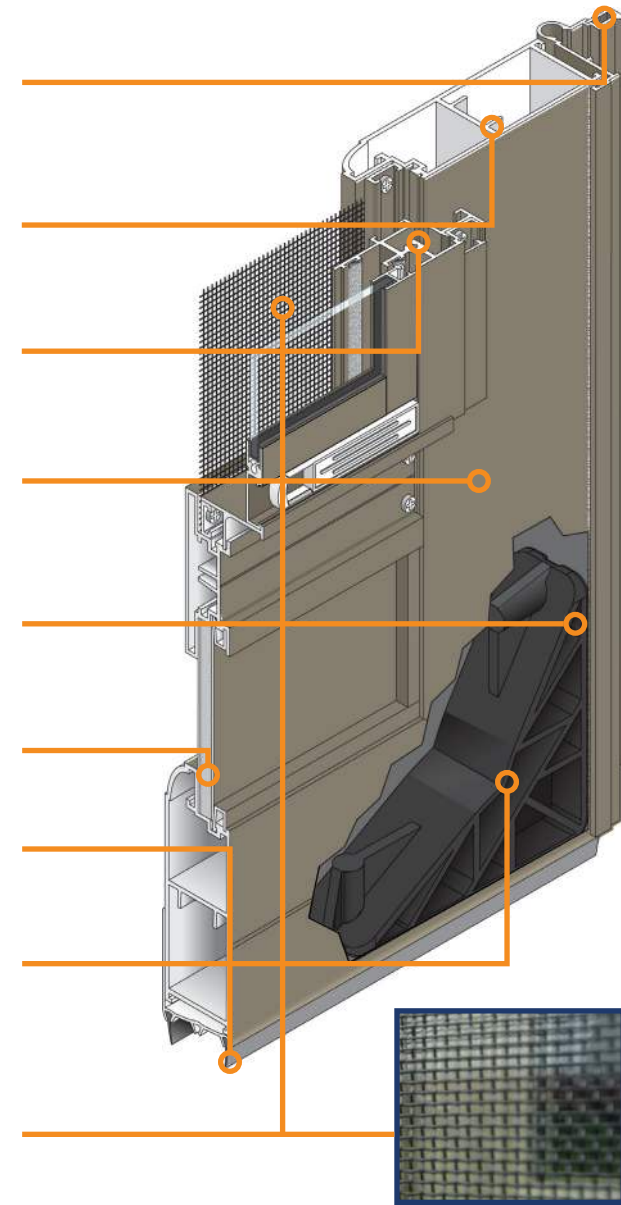
Outside corners are secured to corrosion proof gussets, for structural integrity.

Reinforced aluminum kick panel adds strength.

Bottom sweep eliminates drafts.

Corner keys provide added support to the inside of the door frame.

.023 Stainless Steel Black Screen is standard. Also available in white. The .023 gauge stainless steel screen offers extra security and protection (12x12 mesh).



Ask to see our Inspirations Art Glass brochure for our complete selection of designs, color palettes, and style availability.

HARDWARE - ADD THE FINISHING TOUCHES

Contemporary Curve Lever Exterior



Mortise-Sierra Exterior



Mortise-Venice Exterior



Windsor - Exterior



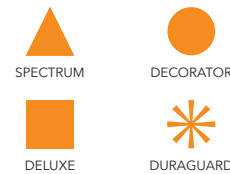
Townsend - Exterior



Interior Handle



KEY



Freedom Pet Door

Factory installed, solid aluminum construction with spring loaded interior cover. It also offers a soft single flap for a tight weather seal and a white mitered cove.

Available on flush doors only.



Medium

8 1/8" x 11 3/4" opening for pets up to 40 lbs.

Large

10 1/8" x 15 3/4" opening for pets up to 100 lbs.



With both elegance and durability, our hardware makes the right first impression. Choose from our wide selection of solid hardware to customize your storm door.

Easy-Set Closer

Just a slight push on the cap and it will stay open. Push door open further and it releases. Color-matched to door.

Mail Slot

Bright Brass, Satin Nickel and Aged Bronze magazine and mail slots.

Available on #074, #079, #279, #374, #379





866-4FELDCO® 4FELDCO.COM

Chicago North - 1656 Winthrop Drive, Des Plaines, IL

Peoria - 1011 W. Detweiller Drive, Peoria, IL

Rockford - 4322 Maray Drive, Rockford, IL

Milwaukee - 401 W. Boden Street, Milwaukee, WI

Wausau - 7315 Zinser Street #3, Weston, WI

Davenport - 355 W. 76th Street, Davenport, IA

Chicago South - 17730 Hoffman Way, Homewood, IL

Springfield - 719 Estill Drive, Springfield, IL

Madison - 3037 S. Stoughton Road, Madison, WI

Green Bay - 1125c Tuckaway Lane, Menasha, WI

Cedar Rapids - 4920 Blairs Forest Court NE, Cedar Rapids, IA



America's #1
Window and
Door Company

01/2023